

ELECTRON MICROSCOPY

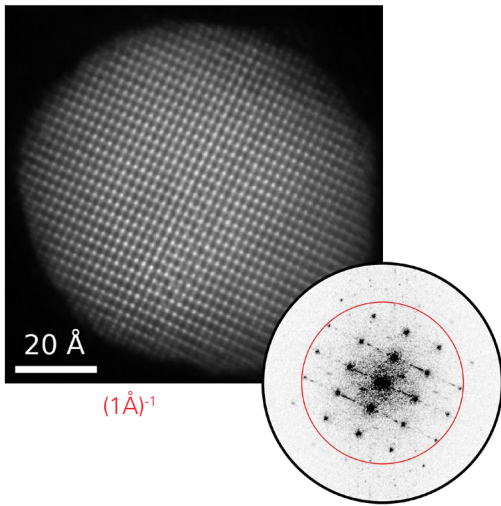
Liquid Helium Cryogenic Electron Microscope

Tools for Tomorrow™



Bruker AXS is continually improving its products and reserves the right to change specifications without notice. Order No. DOC-H99-EXS001. © 2024 Bruker AXS SE.

Sub-Å imaging at 12.6K



Flexible side entry design

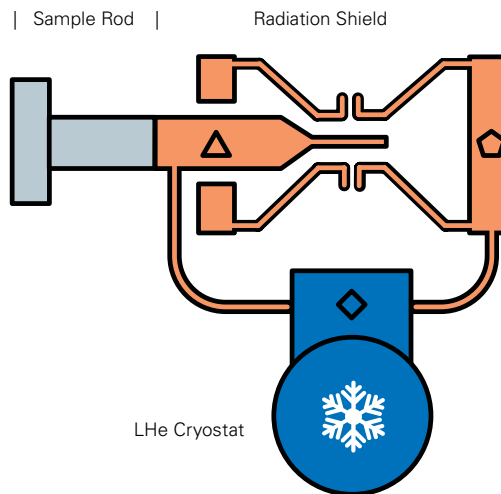


Figure 1 (left column)

0.9 Å resolution 200kV STEM HAADF image of Au nanoparticles at a sample temperature of 12.6K.

Figure 2

Cryo-stage block diagram with temperature sensor locations for cooling curve data.

- 12.6K sub-Å imaging
- >10 hours cooling time
- 4 mK sample temperature stability
- <4 Å/min sample drift

Stable, all-day cooling

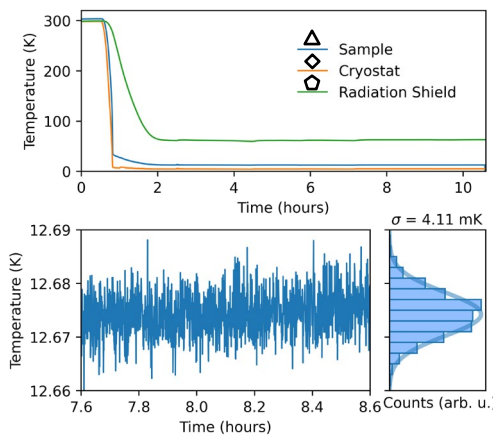


Figure 3

Cooling curves of major cryo-stage components. Capable of long, stable cooling times with a 4 mK temperature stability at the sample.